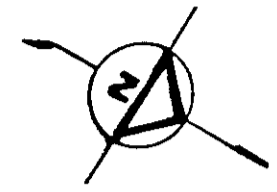


SURVEY MAP AND BUILDING PLANS FOR ISSAQUAH CROWN CONDOMINIUMS

NW 1/4, SEC. 34, TWP. 24 N., RGE. 6 E., W.M.
KING COUNTY, WASHINGTON

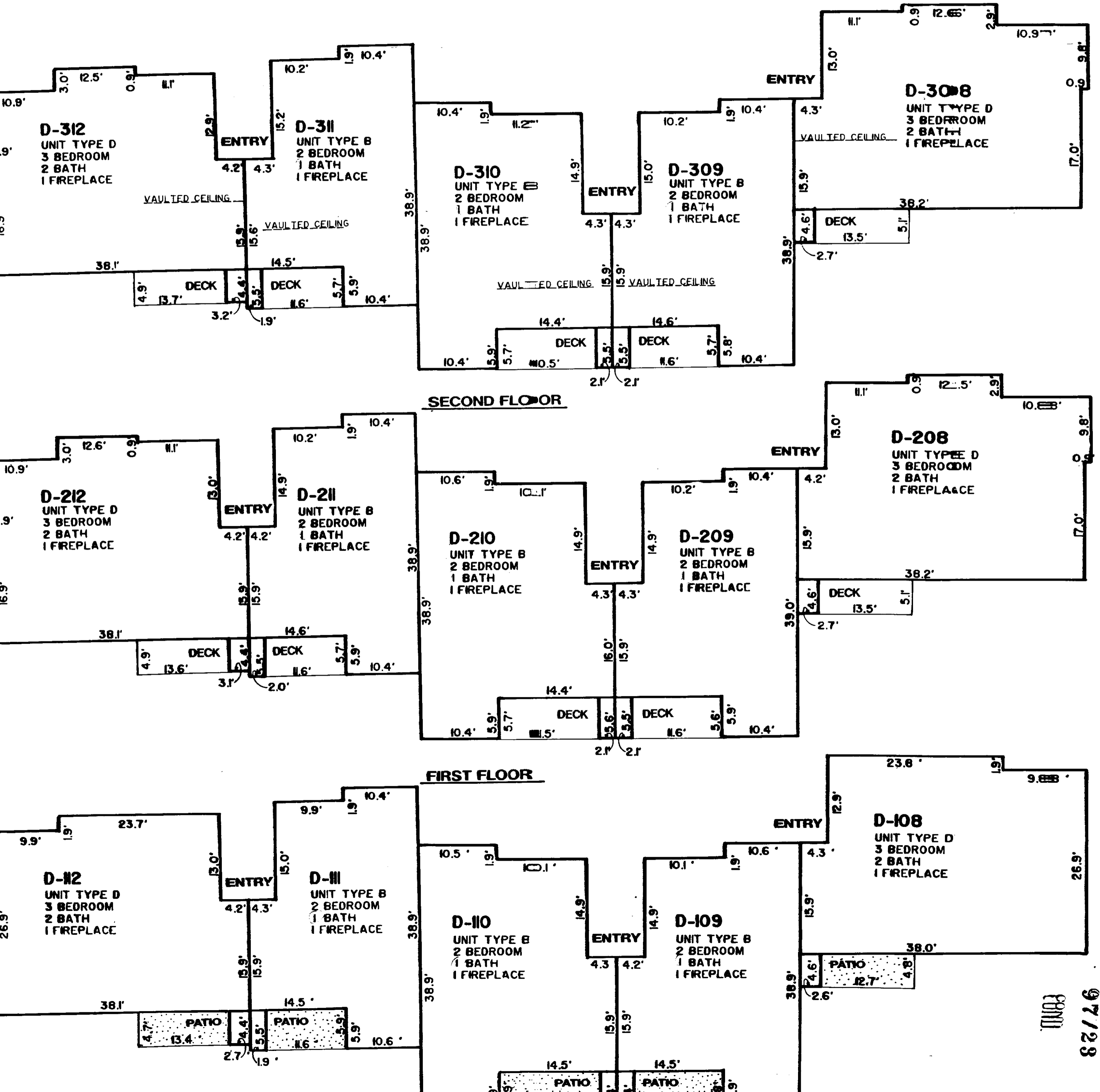
97/23
COND.



SCALE: 1" = 10'

BUILDING "D"

INTERIOR WALL THICKNESS = 0.38'
EXTERIOR WALL THICKNESS = 0.58'



97/23
COND.