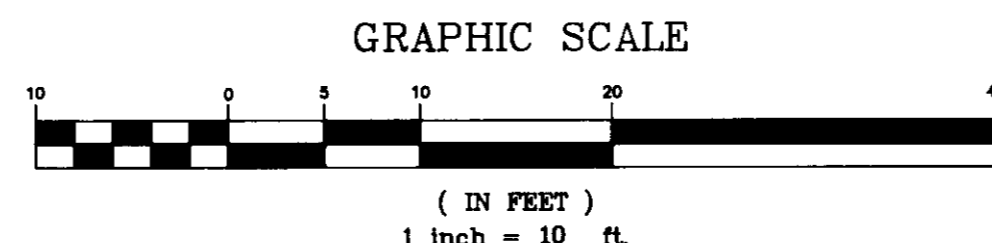
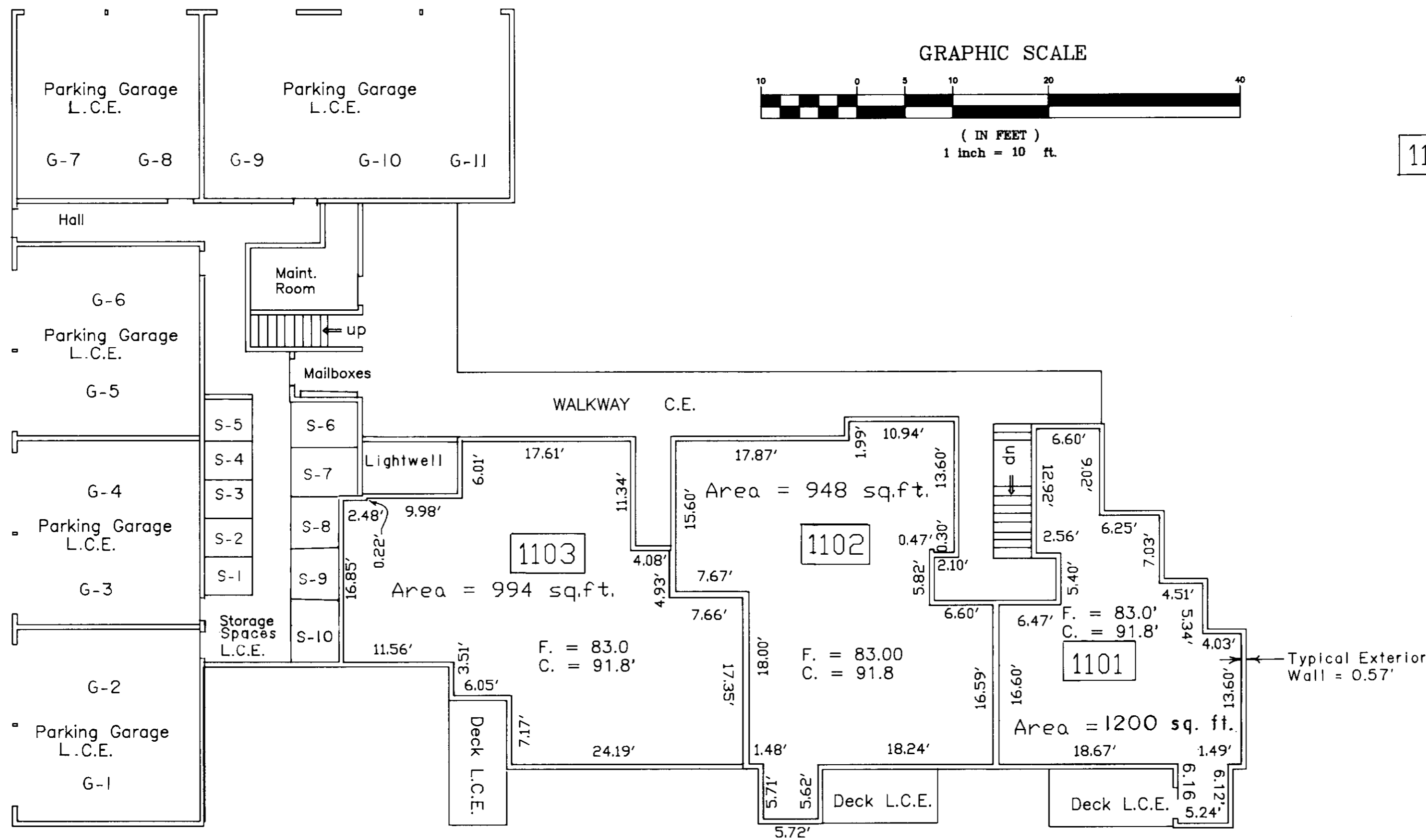


# Newport Woods Condominiums

NW 1/4, SE 1/4, SEC. 28, TWP. 24 N., RGE. 6 E., W.M., KING COUNTY, WASHINGTON



- LEGEND**
- 1103 UNIT DESIGNATION
  - C.E. COMMON ELEMENT
  - L.C.E. LIMITED COMMON ELEMENT
  - F = FLOOR ELEVATION
  - C = CEILING ELEVATION

## Ground Floor

<b>SCHROETER LAND SURVEYING</b> PROFESSIONAL LAND SURVEYORS P.O. Box 813, Seahurst, Washington 98062 (206) 242-6621 FAX (206)243-9679		
PROJECT NO. 96096	JOB NO.	SEC.
DATE FIELD	DWN BY law	CHKD. BY
DATE 12/20/96	SCALE 1" = 10'	SHEET 3 OF 5

**SURVEY FOR:**  
Kenicer, Cozzetto, Serene  
Village Associates  
c/o Winton & Associates, Inc.  
15245 Pacific Highway So.  
Suite L-2  
Seattle, Washington 98188